

- Model 234 — Recessed **Bradex**[®] (recesses 4"; projects 4³/₄")
- Model 234-10 — Semi-Recessed **Bradex**[®] (recesses 2"; projects 6³/₄")
- Model 234-11 — Surface-Mounted **Bradex**[®] (projects 8³/₄")
- Standard Series — Satin Finish
- C-Fold/Multi-Fold Towels

Product Details

CABINET: 22 gauge stainless steel with exposed surfaces in architectural satin finish. Welded construction with seamless corners and burr-free edges.

FLANGE: 22 gauge stainless steel with exposed surfaces in architectural satin finish. One-piece seamless construction, 1" wide radiused edges with ¼" return.

DOOR: 18 gauge stainless steel. Warp resistant, with full length piano hinge and tumbler lock keyed like other Bradley units.

TOWEL DISPENSER: 22 gauge stainless steel. Rolled edge on dispenser opening.

WASTE RECEPTACLE: heavy duty 22 gauge stainless steel. All welded construction. Secured to cabinet with tumbler lock keyed like other Bradley units.

LINER: (optional) heavy duty stitched vinyl coated nylon: 12 gallon part # P11-004; 18 gallon part no. P11-001.

OPTIONAL HINGED COVER: 22 gauge stainless steel with exposed surfaces in architectural satin finish. Heavy duty stainless steel piano hinge

OPTIONAL PUSH-FLAP DOOR: 22 gauge stainless steel with exposed surfaces in architectural satin finish. Heavy duty stainless steel piano hinge. Self-closing door is embossed **PUSH**.

Capacity

Towel Dispenser — 800 multi-fold or 600 C-fold paper towels
 Waste Container — 12 gal. (1.6 cu. ft.)

Operation

Towel dispenser holds multi-fold or C-fold towels without use of special adapter. Receptacle removable for servicing by unlocking waste container.

Installation

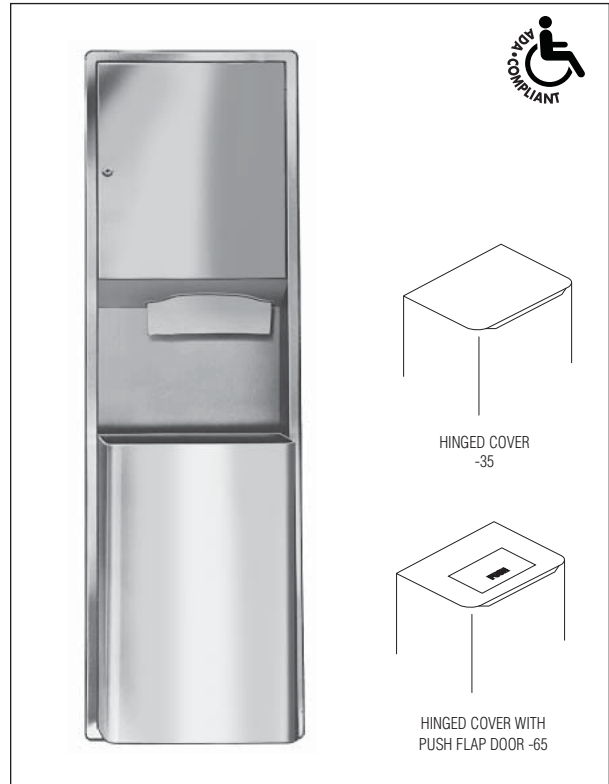
Verify all rough-in dimensions prior to installation. Recessed unit requires rough wall opening 15³/₄"W x 54¹/₂"H x 4"D (Semi-recessed unit only 2" deep). Secure with mounting screws (included) at holes provided. Shim at screw points as required. Surface-mounted units must have holes drilled by installer. Mounting screws are included.

Guide Specification

Recessed combination towel dispenser and waste receptacle shall be fabricated of 22-gauge stainless steel with exposed surfaces in satin finish. Warp-free towel cabinet door equipped with piano hinge and secured by tumbler lock. Towel dispenser capacity 800 multi-fold or 600 C-fold towels. Removable 12 gal. stainless steel waste receptacle. Reusable vinyl liner is optional.

Overall dimensions: 17¹/₈"W x 56"H x 8³/₄"D.

**Washroom Accessories
 Document No. 8130**



Optional Features

Feature	Suffix
<input type="checkbox"/> Hinged cover	-35
<input type="checkbox"/> Large capacity waste receptacle — 18 gal.	-36
<input type="checkbox"/> Hinged cover with push flap door	-65
<input type="checkbox"/> Vinyl Liner Part #P11-004	

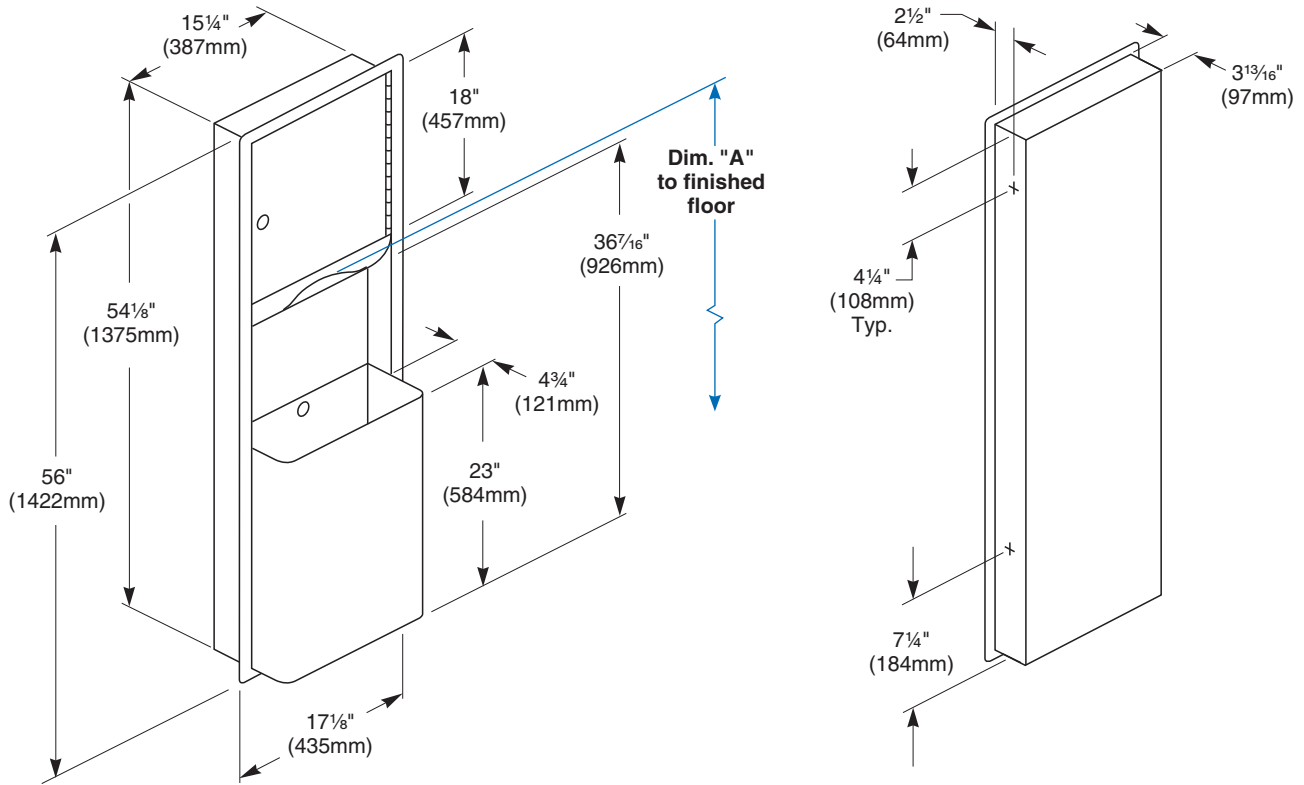
ADA Compliant

- Consult local and national accessibility codes for proper installation guidelines.
- Conformity and compliance to local and national codes is the responsibility of the installer.

Orders composed of products indicated as **Bradex**[®] will be available to ship in three days after receipt of order at the factory. There is no pricing penalty for this service from Bradley.

© 2011 Bradley Corporation
 P.O. Box 309, Menomonee Falls, WI 53052-0309
 Phone: 800.BRADLEY (800.272.3539) Fax: 262.253.4161
 bradleycorp.com

Dimensions



Dim. "A" Key Surface:	For Dim. "A"	Top of Rough Wall Opening	Bottom of Rough Wall Opening
Paper towel top of opening to finished floor	48" (1219mm)	66 ³ / ₄ " (1695mm)	12" (305mm)
	45" (1143mm)	63 ³ / ₄ " (1619mm)	9" (229mm)
	42" (1067mm)	60 ³ / ₄ " (1543mm)	6" (152mm)
	40" (1016mm)	58 ³ / ₄ " (1492mm)	4" (102mm)
Rough wall opening:			
Surface Mount:	No rough opening, see overall dimensions		
Recessed:	15 ³ / ₄ " (401mm) Wide x 54 ³ / ₄ " (1391mm) High x 4" (102mm) Deep		
Semi-recessed:	15 ³ / ₄ " (401mm) Wide x 54 ³ / ₄ " (1391mm) High x 2" (51mm) Deep		

Orders composed of products indicated as **Bradex**® will be available to ship in three days after receipt of order at the factory. There is no pricing penalty for this service from Bradley.

Washroom Accessories
Document No. 8130